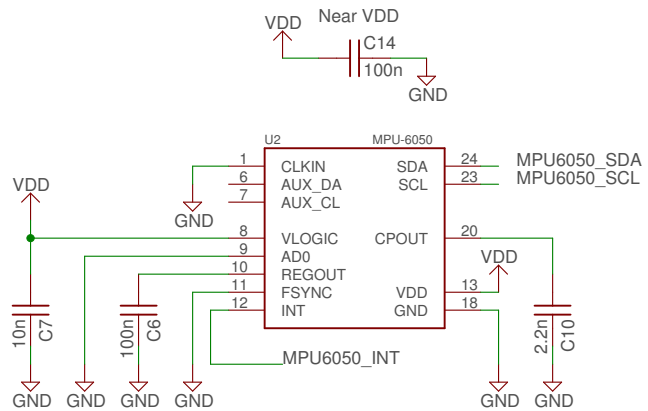
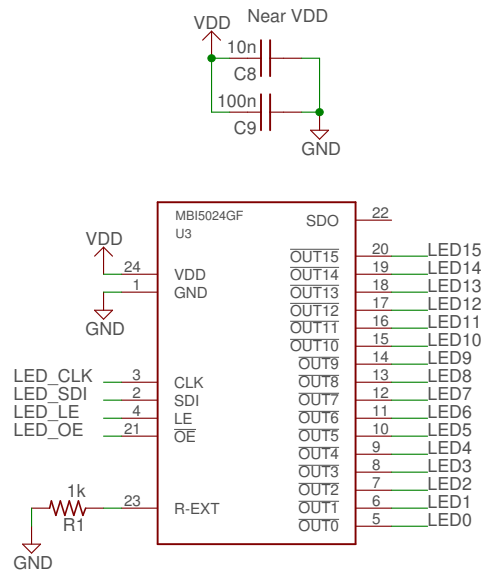


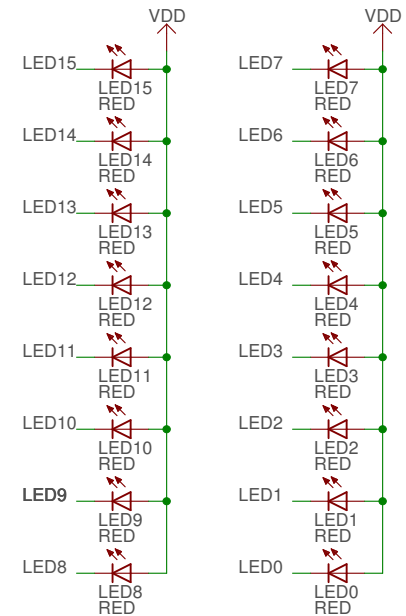
MCU



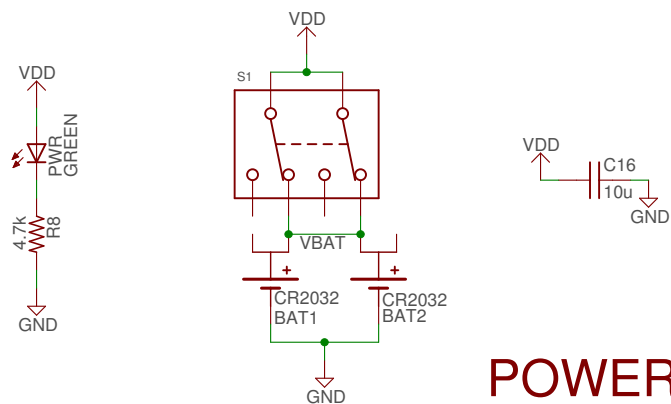
ACCEL/GYRO



LED DRIVER



LEDS



POWER

NathanPetersen.com

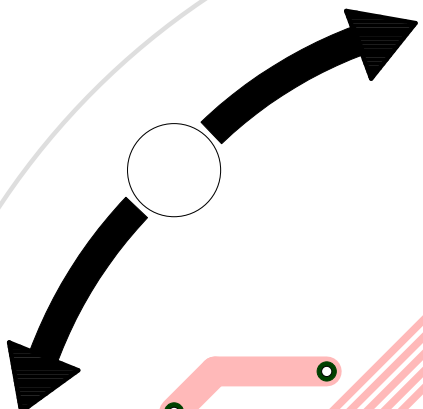
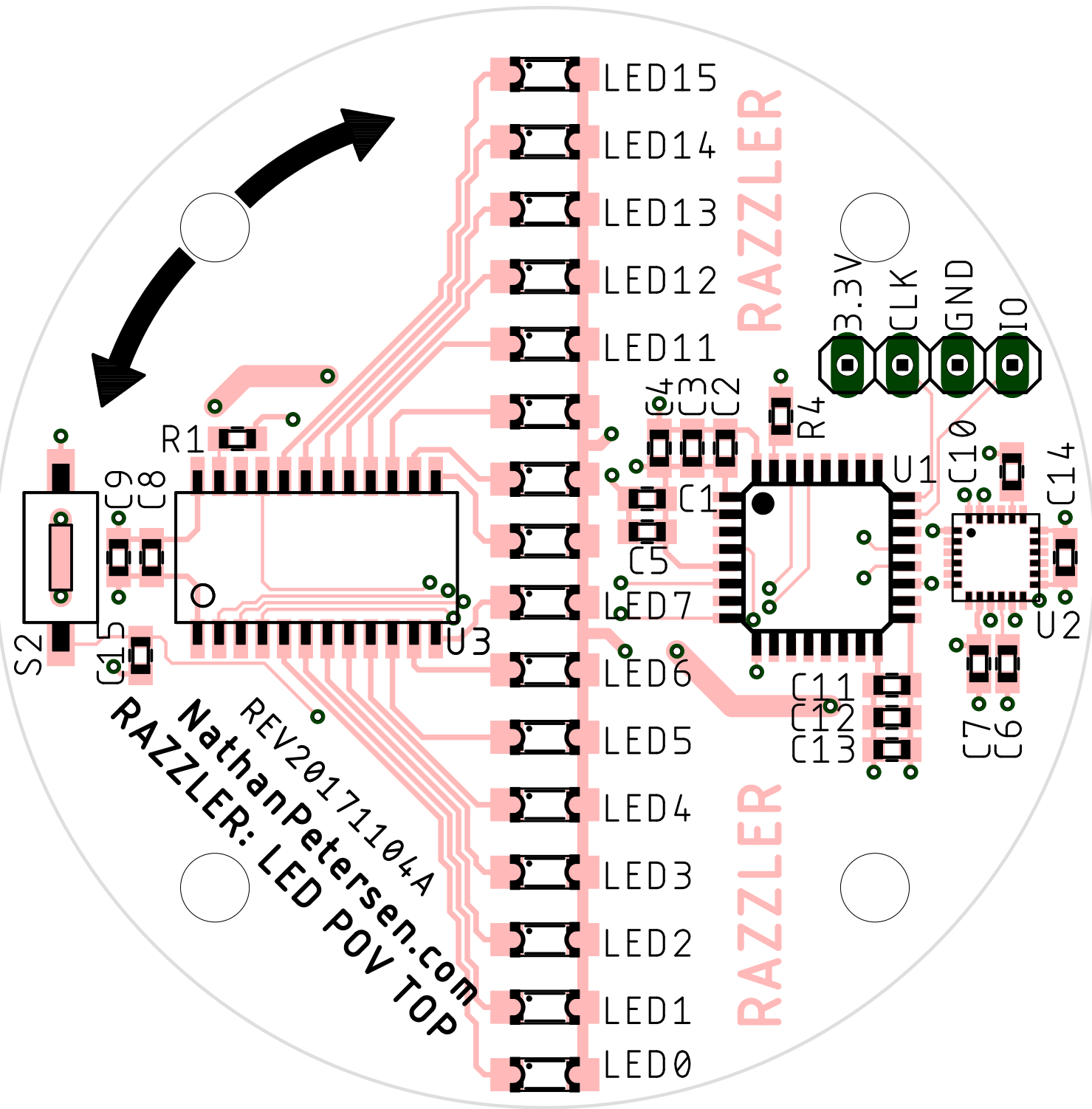
TITLE: razzler

Document Number:

REV:
A

Date: 11/4/17 10:21 AM

Sheet: 1/1



REV20171104A
NathanPetersen.com
RAZZLER: LED POV TOP

RAZZLER

RAZZLER

- LED15
- LED14
- LED13
- LED12
- LED11
- LED10
- LED9
- LED8
- LED7
- LED6
- LED5
- LED4
- LED3
- LED2
- LED1
- LED0

- 3.3V
- CLK
- GND
- I/O

- S2
- C15
- C9
- C8
- R1
- U3
- C4
- C3
- C2
- R4
- C1
- C5
- LED7
- U1
- C10
- C14
- C7
- C6
- C9
- C11
- C12
- C13
- U2

